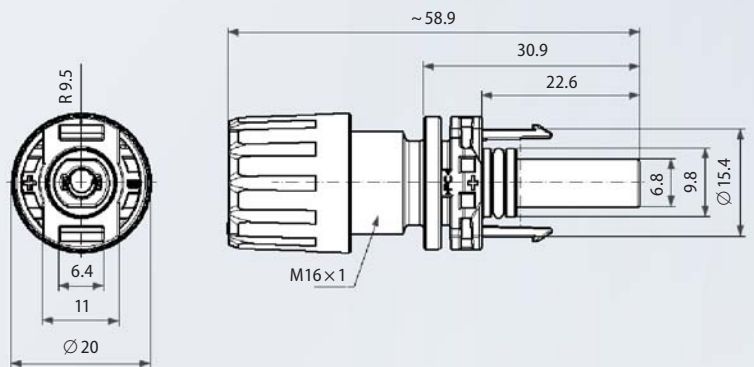
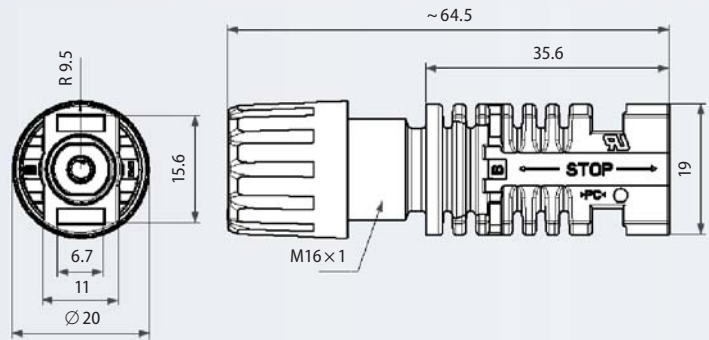


BETAsolar PV Connector

LSC-001



Advantages

- Applicable to all common PV-modules
- Constant low contact resistance over the entire temperature range
- High current carrying capability
- Cable connection by crimping
- Patent pending
- Long term UV and Ozone resistance

Technical Data

- Rated voltage: 1000 V (TÜV); 600 V (UL)
- Rated current: 30 A
- Contact resistance: < 0.3 mΩ
- Insulation resistance: > 3 GΩ
- Protection level: IP 67
- Ambient temperature ranges:
 - 40°C to +90°C (TÜV)
 - 40°C to +75°C (UL)
- Wire size range: 1.5 - 6.0 mm²
- Cable diameter: 5.0 - 8.0 mm
- Crimp type: B-Crimp, 2×Crimp Areas
 - 1.5 - 2.5 mm²; 4 - 6 mm²
- Insertion force: < 50 N
- Separation force: < 250 N
- Cable pull-out force: > 340 N

Certification

- TÜV Rheinland: Approved
- UL: Pending